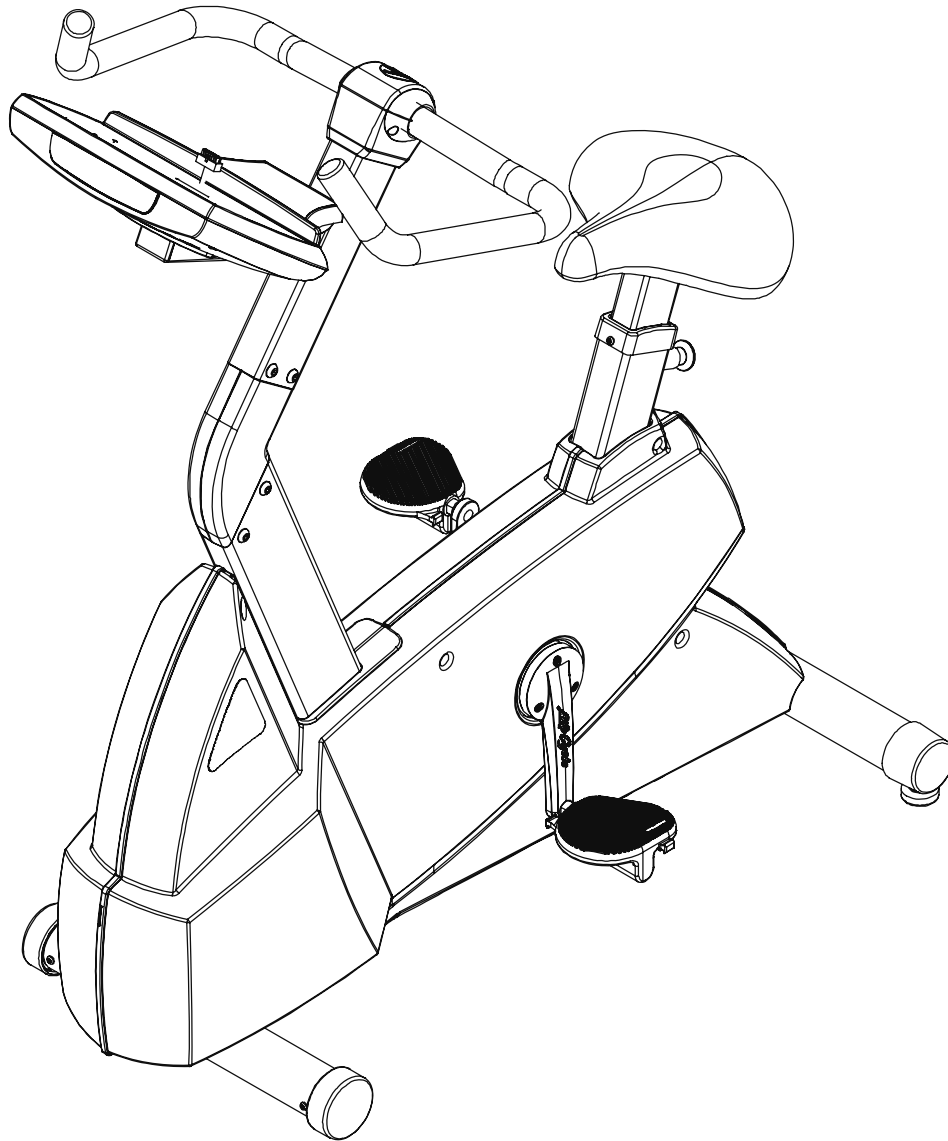


# LifeFitness

ARCTIC SILVER 95Ce Upright Bike



Customer Support Services  
**PARTS MANUAL** rev 23 April 2014

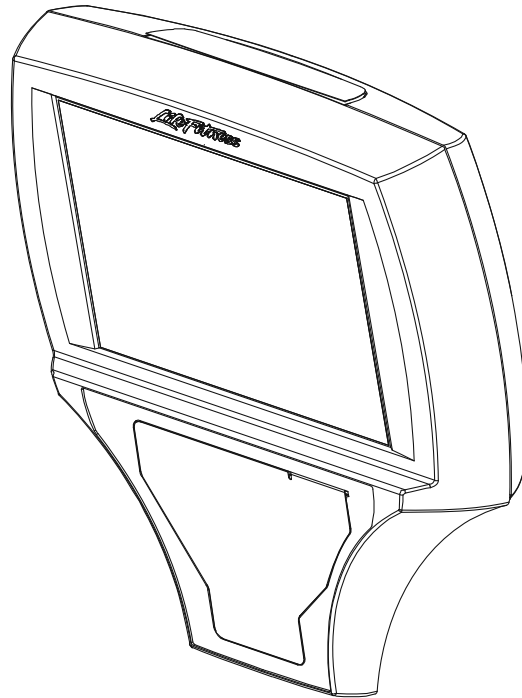
**ARCTIC SILVER 95Ce**  
**REFERENCES**

**95Ce-0XXX-02**  
**S/N CCQ100000-UP**

---

OPERATION MANUAL	M051-00K63-A064
SERVICE MANUAL	M051-00K63-B012
POWER SUPPLY: 12V; 4.5A Without Line Cord	118E-00001-0161
LINE CORD: DOM. 10A 125V	0017-00003-0704
LINE CORD: CON 10A 250V	0017-00003-0691
LINE CORD: 10A; U.K.	0017-00003-0889
LINE CORD: AUSTRALIA	0017-00003-0918
TOUCH UP PAINT: SPRAY CAN .5 OZ BOTTLE W/APPLICATOR .33 OZ PEN	0017-00008-0204 0017-00008-0205 0017-00008-0206
HARDWARE KIT	GK63-00002-0056

	Page
CONSOLE ASSEMBLY .....	4
CONSOLE SCREWS AND ACCESSORY TRAY .....	5
ALTERNATOR W/PULLEY .....	6
CRANKSHAFT AND BEARING ASSEMBLY .....	7
INTERMEDIATE SHAFT AND BEARING ASSEMBLY .....	8
SEAT LATCH ASSEMBLY .....	9
SEAT POST ASSEMBLY .....	10
SEAT POST SHROUDS.....	11
IDLER BRACKET ASSEMBLY.....	12
CONSOLE SUPPORT ASSEMBLY .....	13
LEFT SIDE SHROUD AND CRANKARM .....	14
RIGHT SIDE SHROUD AND CRANKARM.....	15
PCB MOUNTING BRACKET ASSEMBLY.....	16
FRONT WHEELS.....	17
RESISTOR ASSEMBLY.....	18
HANDLEBAR ASSEMBLY.....	19
BELTS.....	20

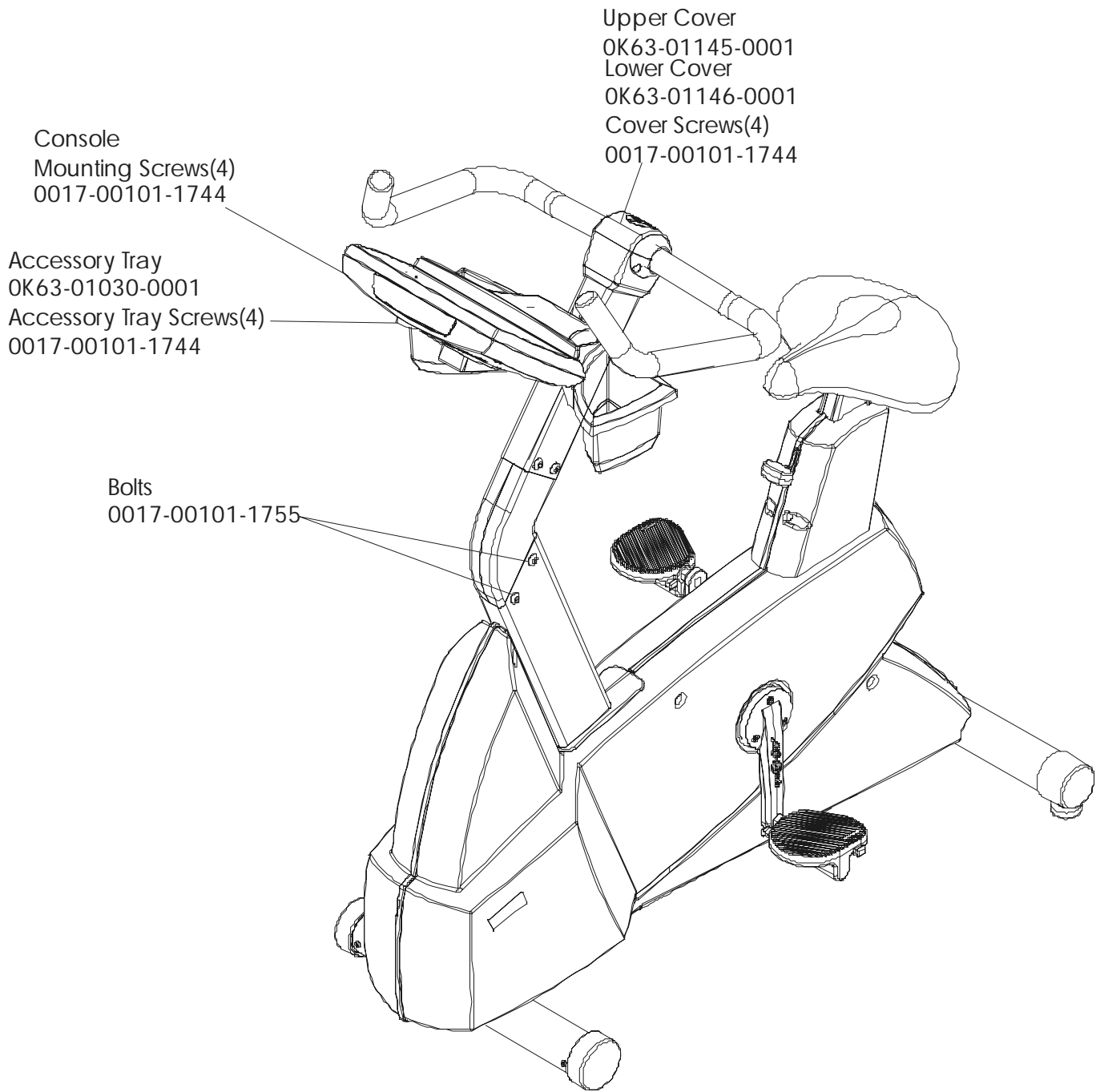


<b>CONSOLE ASSEMBLY</b>	
<b>Part Number</b>	<b>Description</b>
GK63-00002-0063	KIT: SERVICE CONSOLE W/FM NTSC ENG
GK63-00002-0064	KIT: SERVICE CONSOLE W/FM NTSC SPN
GK63-00002-0065	KIT: SERVICE CONSOLE W/FM NTSC JAP
GK63-00002-0066	KIT: SERVICE CONSOLE W/FM NTSC FRN
GK63-00002-0067	KIT: SERVICE CONSOLE W/FM NTSC POR
GK63-00002-0068	KIT: SERVICE CONSOLE W/FM PAL ENG
GK63-00002-0069	KIT: SERVICE CONSOLE W/FM PAL GER
GK63-00002-0070	KIT: SERVICE CONSOLE W/FM PAL SPN
GK63-00002-0071	KIT: SERVICE CONSOLE W/FM PAL FRN
GK63-00002-0072	KIT: SERVICE CONSOLE W/FM PAL ITL
GK63-00002-0073	KIT: SERVICE CONSOLE W/FM PAL DUT
GK63-00002-0074	KIT: SERVICE CONSOLE W/FM PAL POR

<b>OVERLAY BEZEL ASSEMBLY</b>	
<b>Part Number</b>	<b>Description</b>
AK63-00247-0001	BZL/SW W/OVERLAY ASSY: MFG; ENG
AK63-00247-0003	BZL/SW W/OVERLAY ASSY: MFG; GER
AK63-00247-0004	BZL/SW W/OVERLAY ASSY: MFG; SPN
AK63-00247-0006	BZL/SW W/OVERLAY ASSY: MFG; JAP
AK63-00247-0007	BZL/SW W/OVERLAY ASSY: MFG; FRN
AK63-00247-0008	BZL/SW W/OVERLAY ASSY: MFG; ITL
AK63-00247-0009	BZL/SW W/OVERLAY ASSY: MFG; DUT
AK63-00247-0010	BZL/SW W/OVERLAY ASSY: MFG; POR

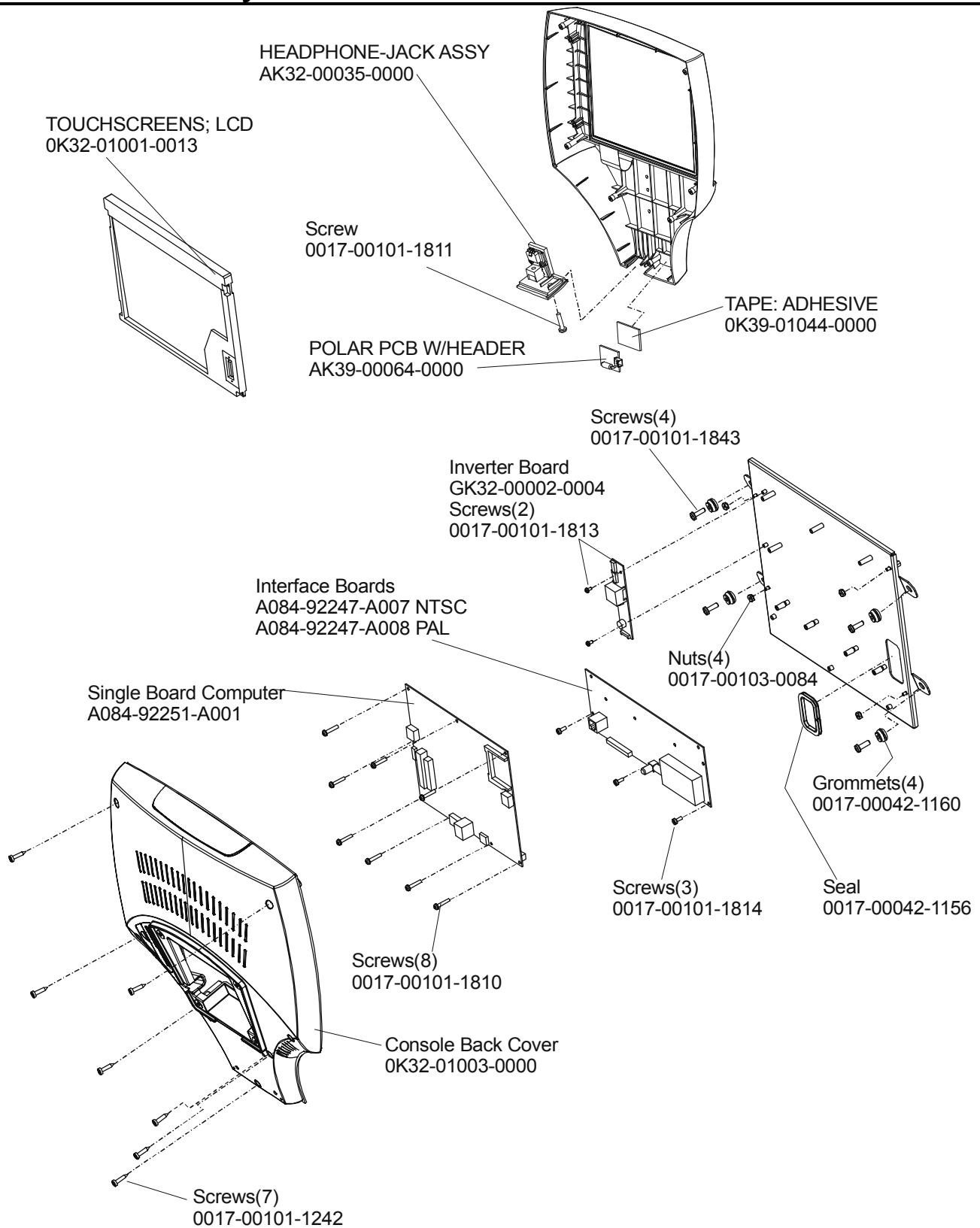
**ARCTIC SILVER 95Ce**  
**Console Screws and Accessory Tray**

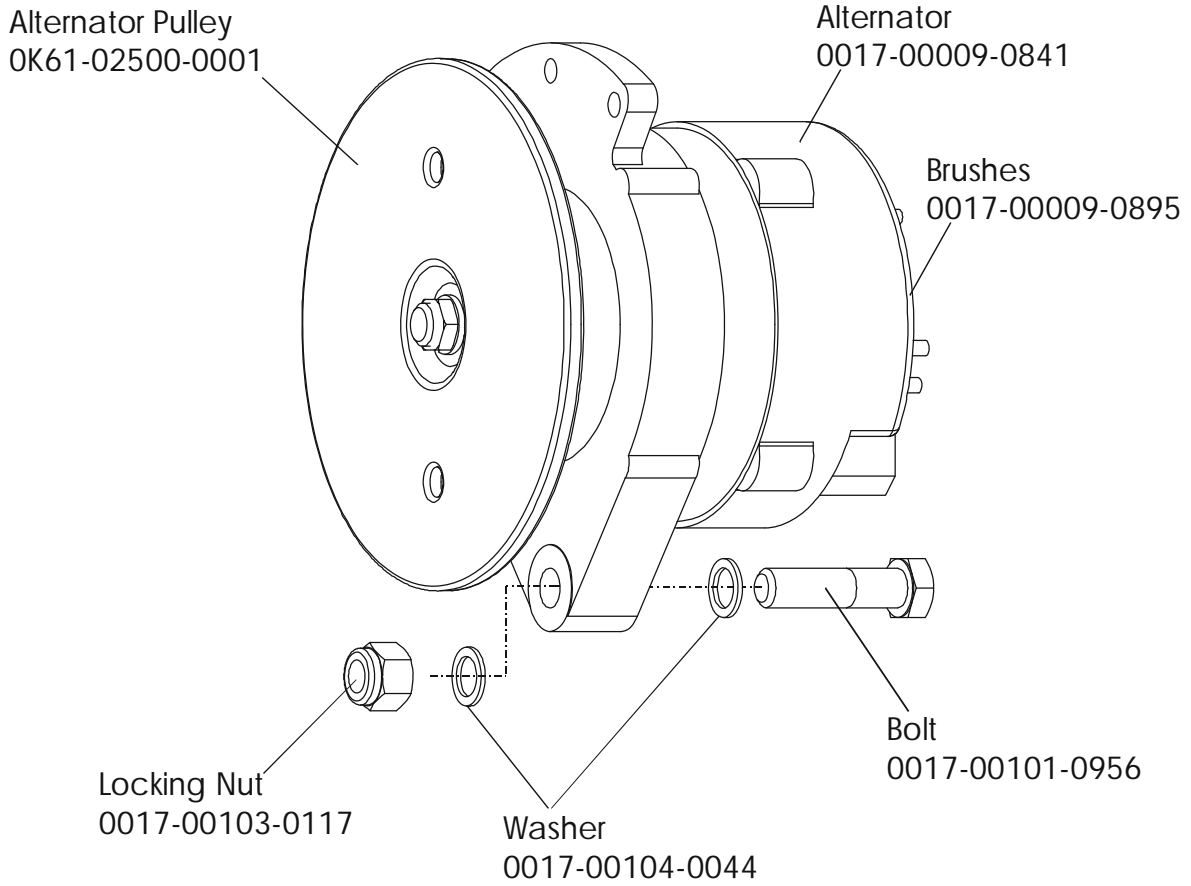
**95Ce-0XXX-02**  
**S/N CCQ100000-UP**



**ARCTIC SILVER 95Ce**  
**Console Assembly**

**95Ce-0XXX-02**  
**S/N CCQ100000-UP**

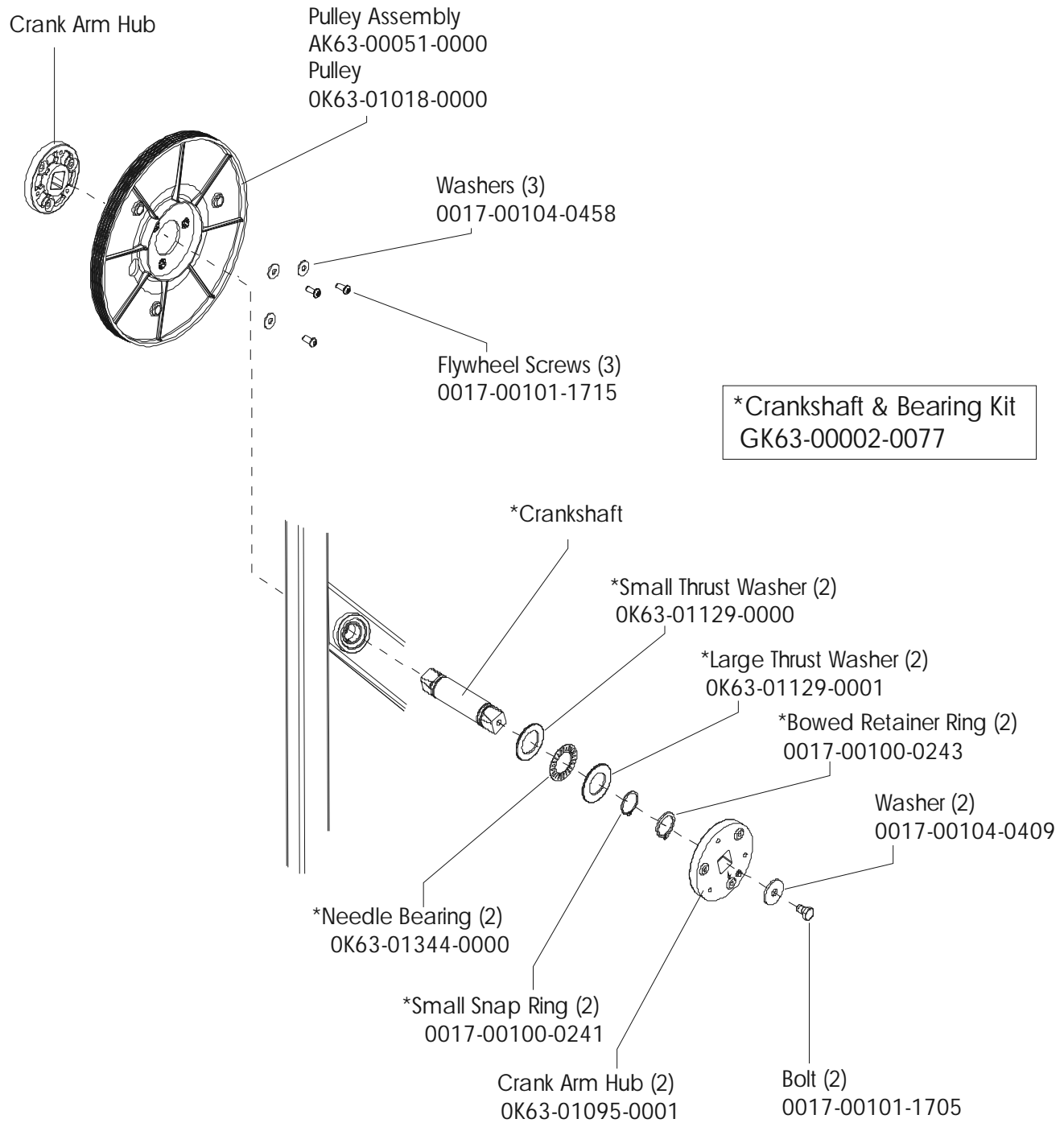




# ARCTIC SILVER 95Ce

## Crankshaft and Bearing Assembly

95Ce-0XXX-02  
S/N CCQ100000-UP



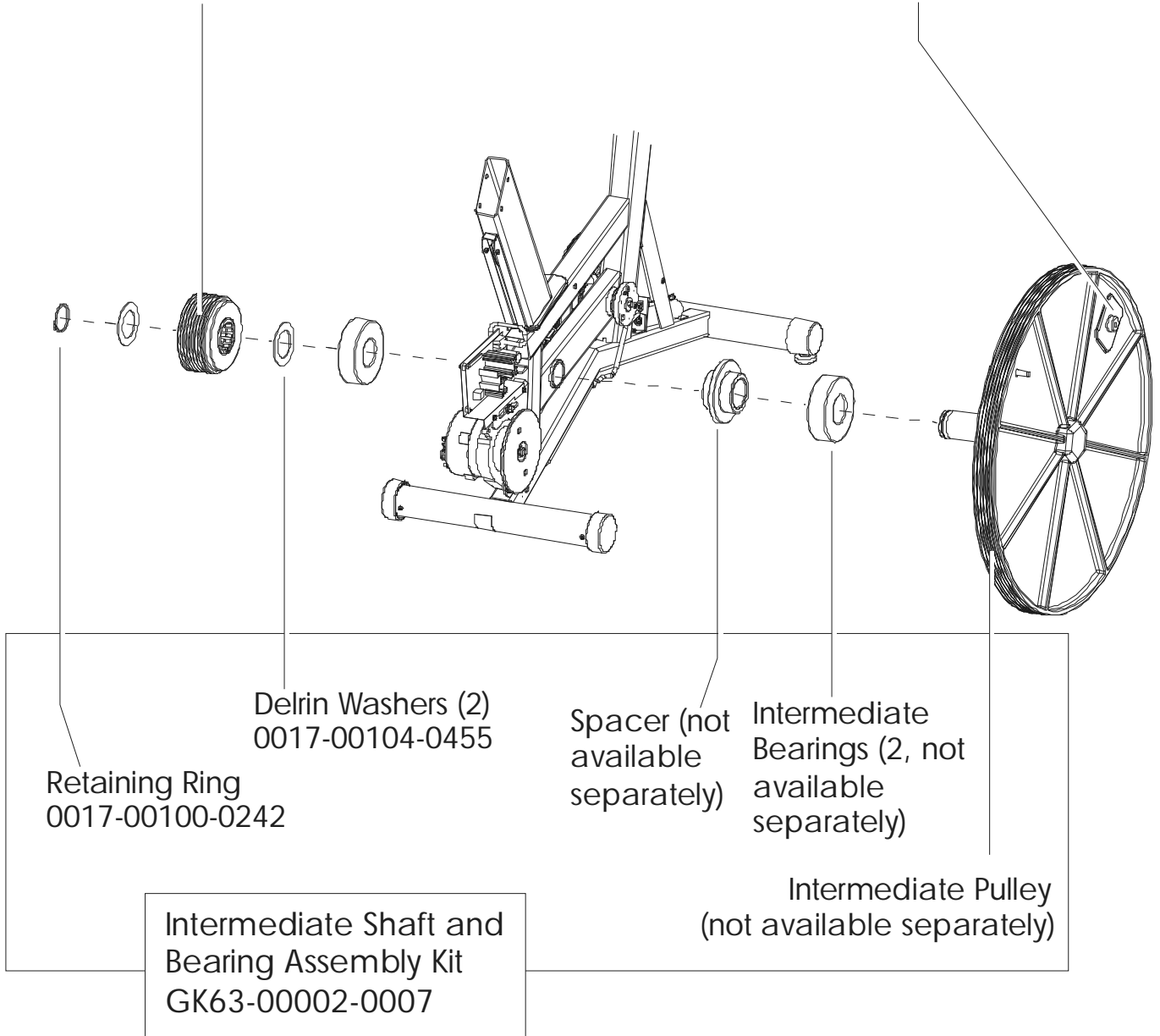


**ARCTIC SILVER 95Ce**  
**Intermediate Shaft & Bearings**

**95Ce-0XXX-02**  
**S/N CCQ100000-UP**

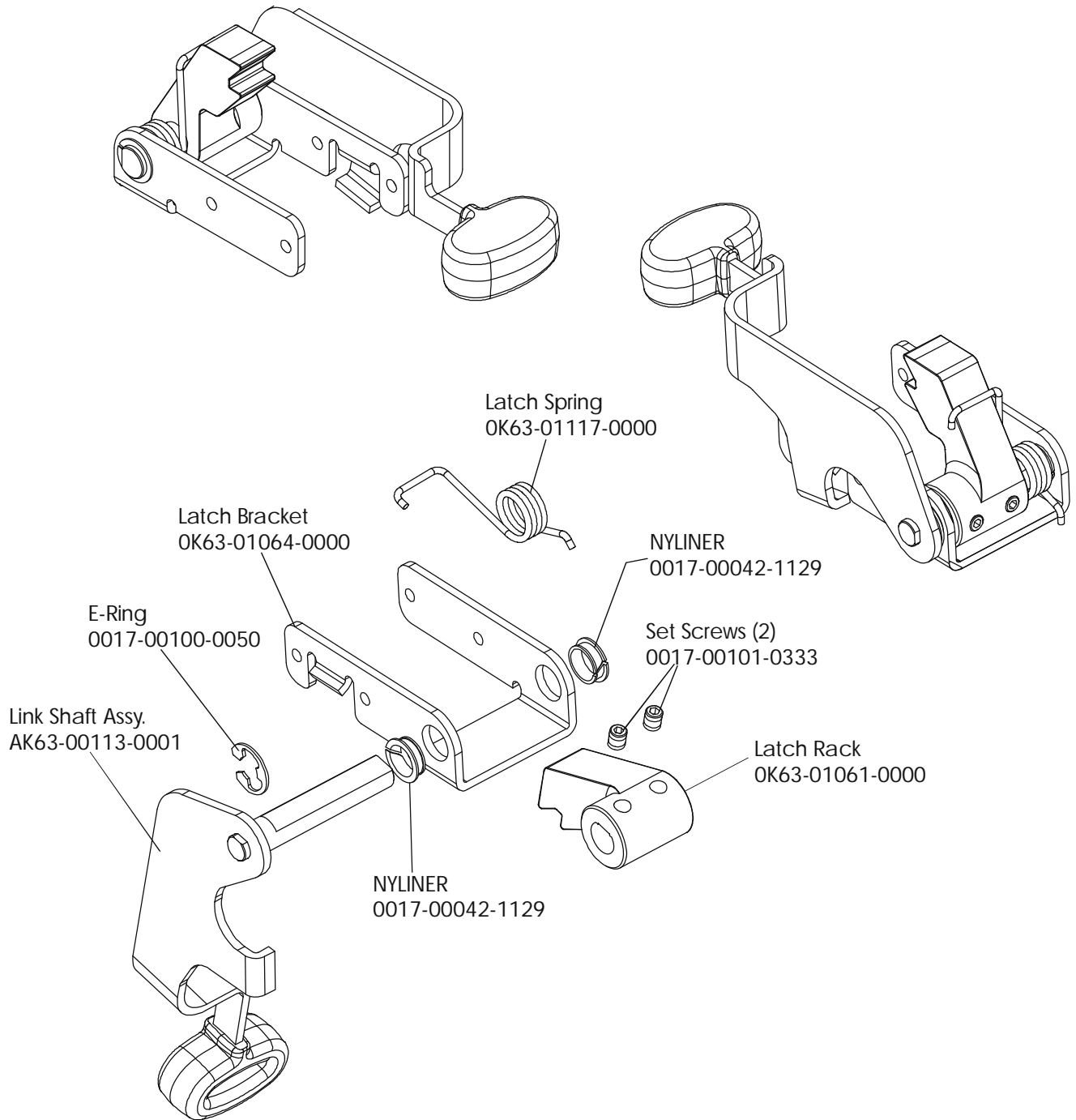
Clutch Assembly  
AK63-00026-0000  
(not included in kit)

Magnet  
118E-00001-0124  
(not included in kit)



**ARCTIC SILVER 95Ce**  
**Seat Latch Assy. -AK63-00043-0001**

**95Ce-0XXX-02**  
**S/N CCQ100000-UP**

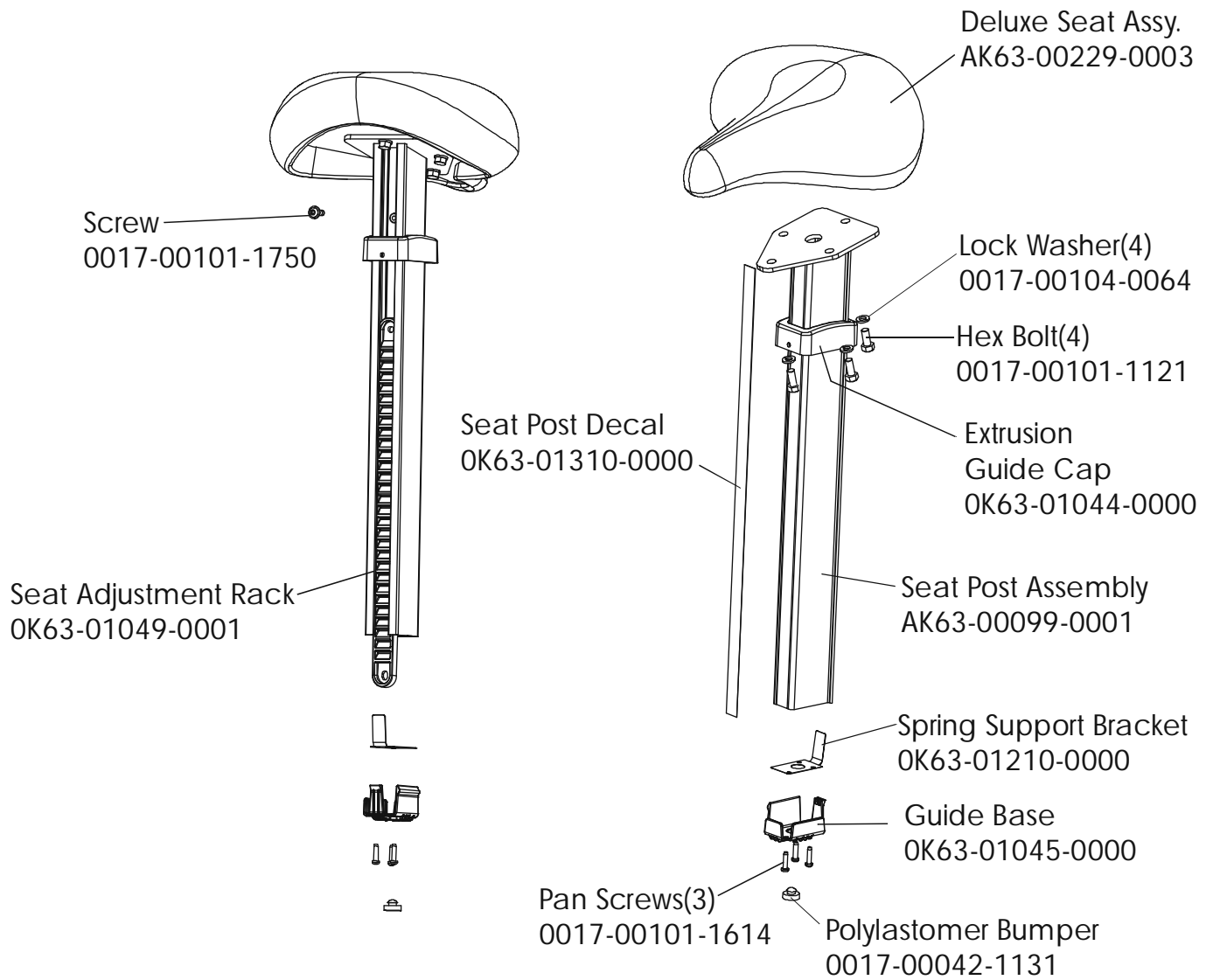


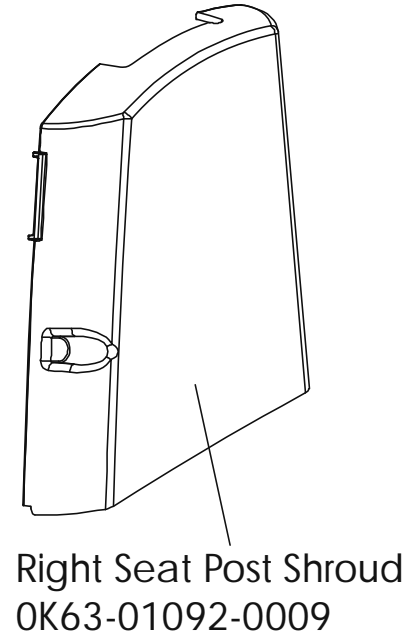
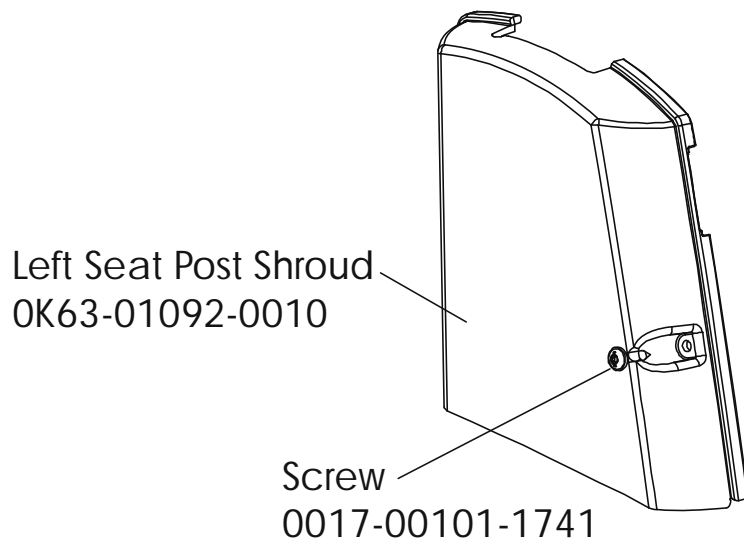
# ARCTIC SILVER 95Ce

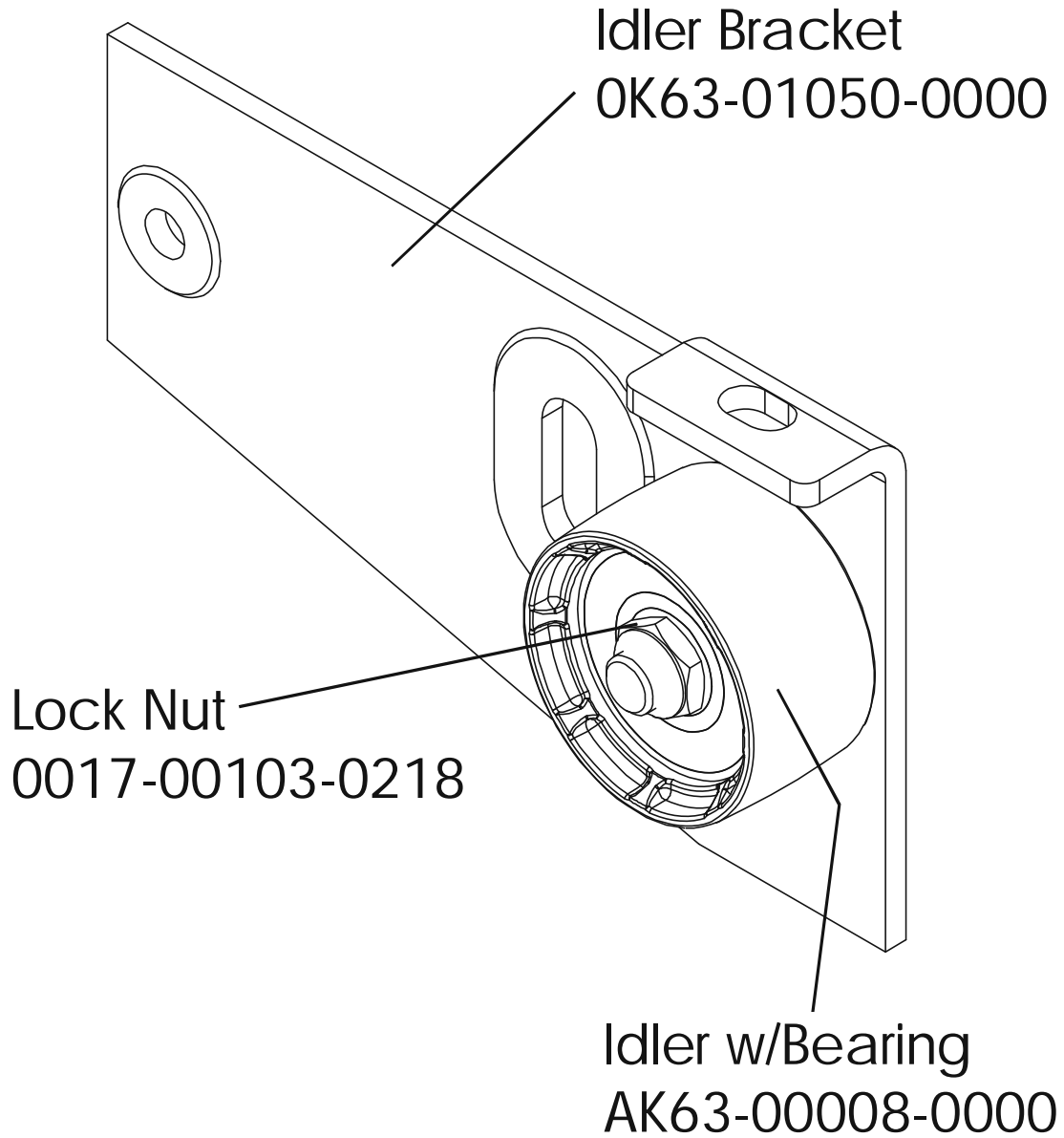
## Seat Post Assembly. – AK63-00232-0002

95Ce-0XXX-02

S/N CCQ100000-UP

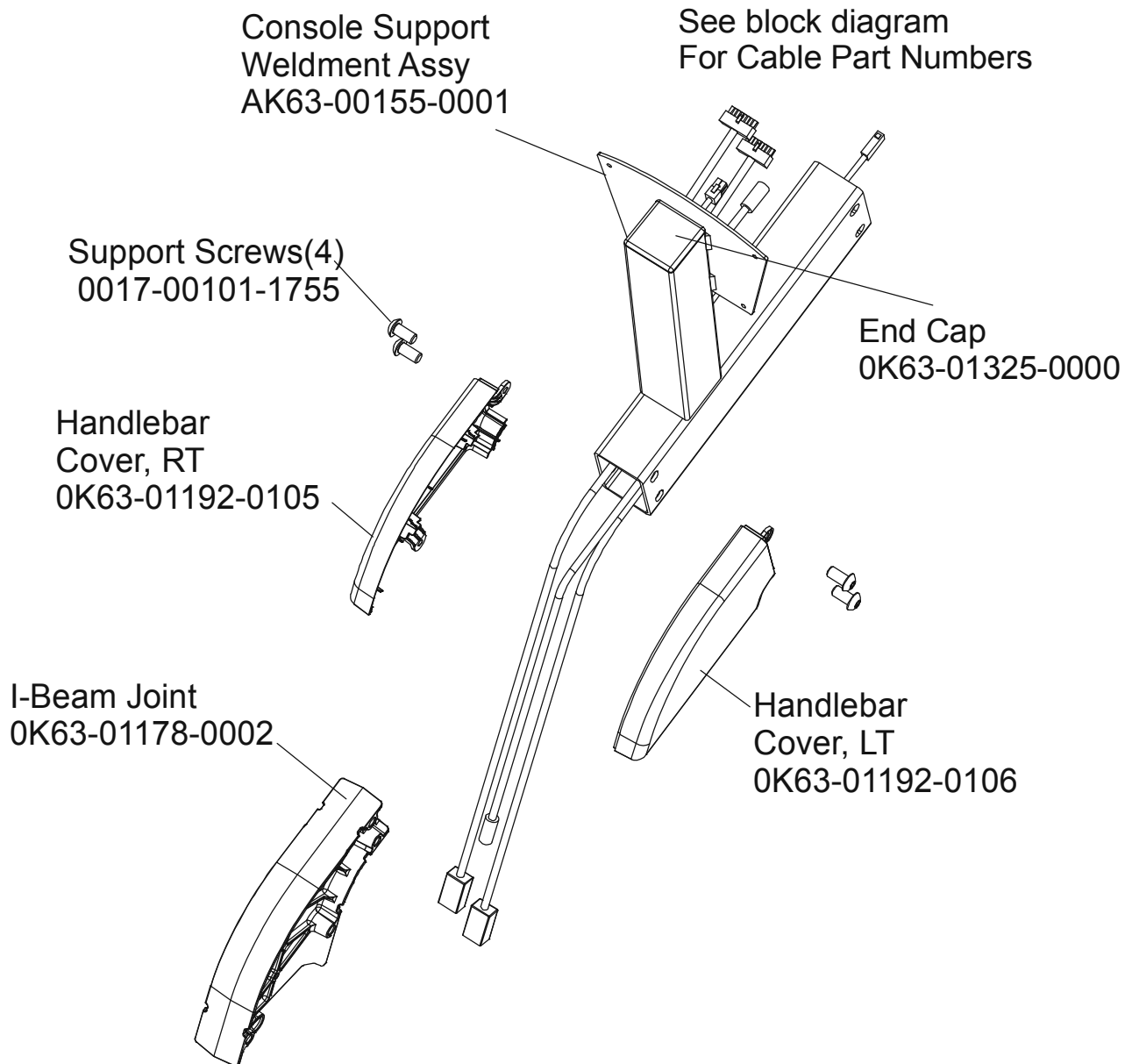






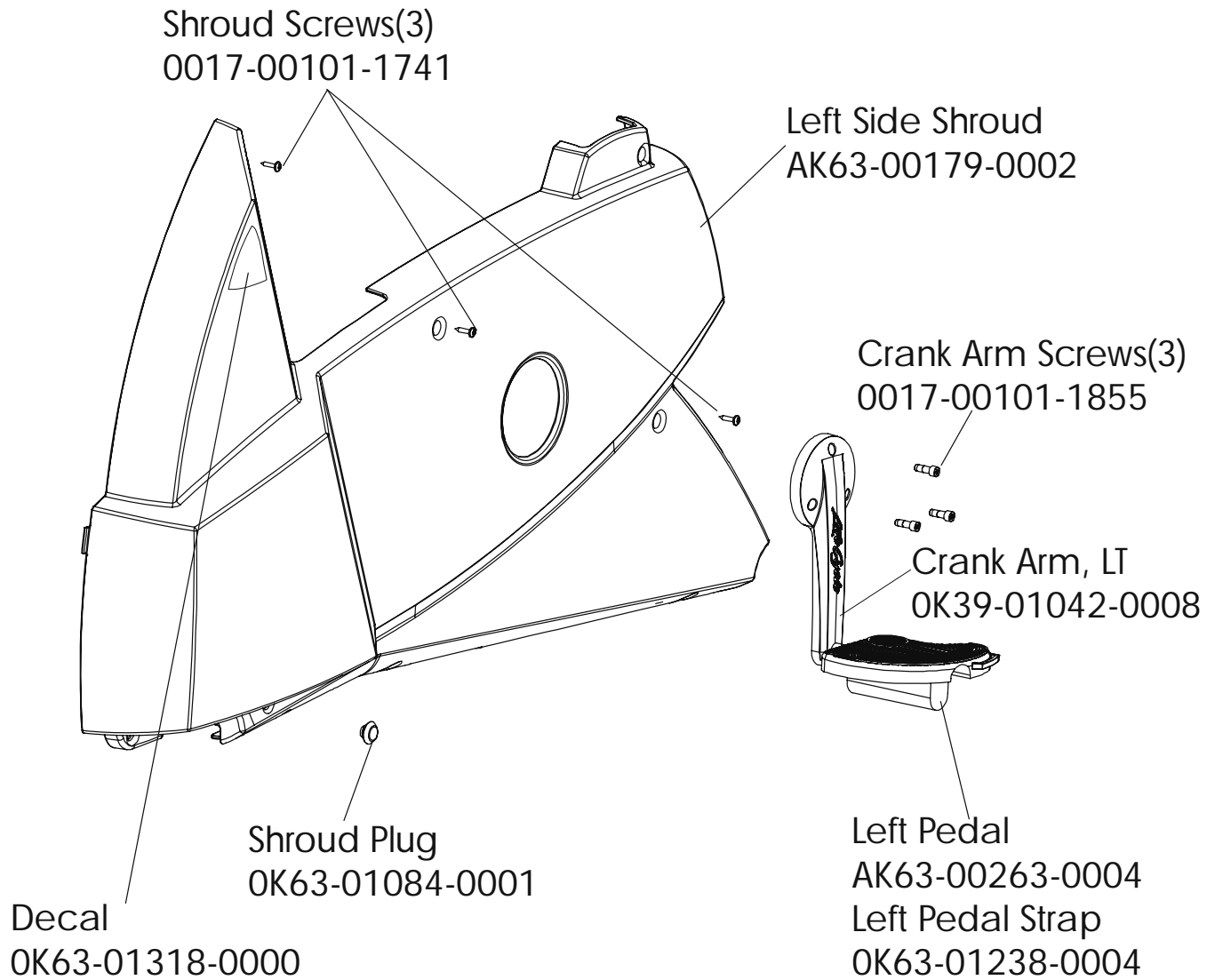
**ARCTIC SILVER 95Ce**  
**Console Support Assembly**

**95Ce-0XXX-02**  
**S/N CCQ100000-UP**



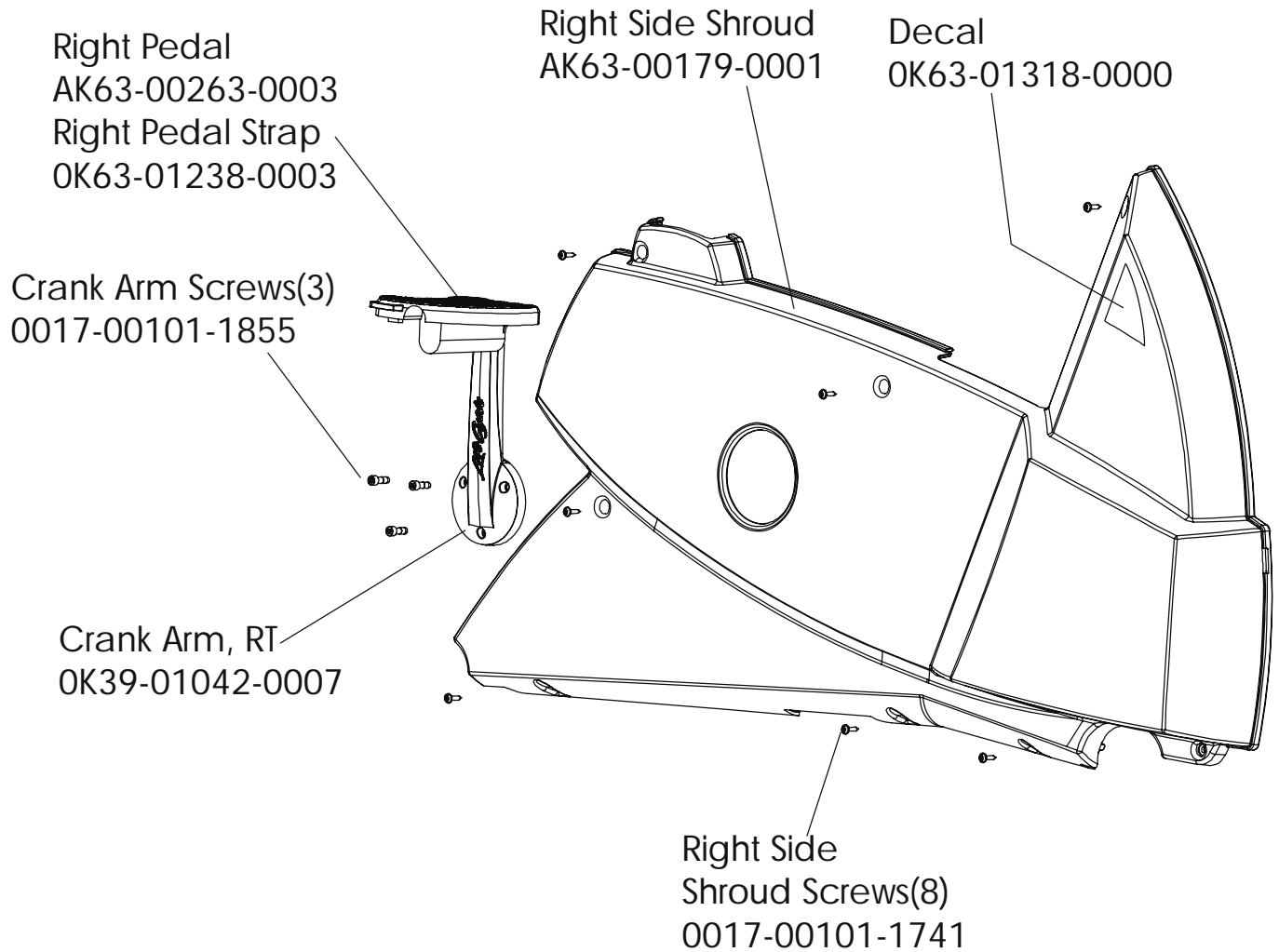
**ARCTIC SILVER 95Ce**  
**Left Side Shroud and Crankarm**

**95Ce-0XXX-02**  
**S/N CCQ100000-UP**



**ARCTIC SILVER 95Ce**  
**Right Side Shroud and Crankarm**

**95Ce-0XXX-02**  
**S/N CCQ100000-UP**





**ARCTIC SILVER 95Ce**  
**PCB Mounting Bracket Assembly**

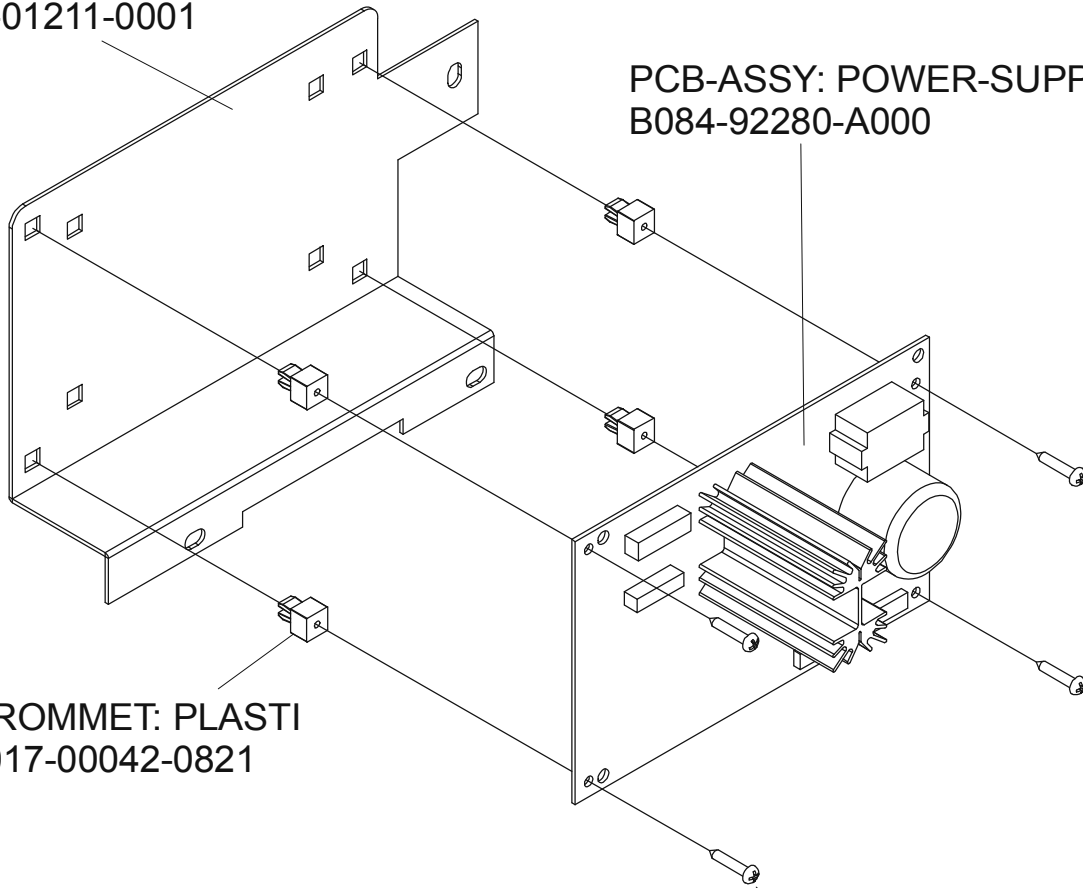
**95Ce-0XXX-02**  
**S/N CCQ100000-UP**

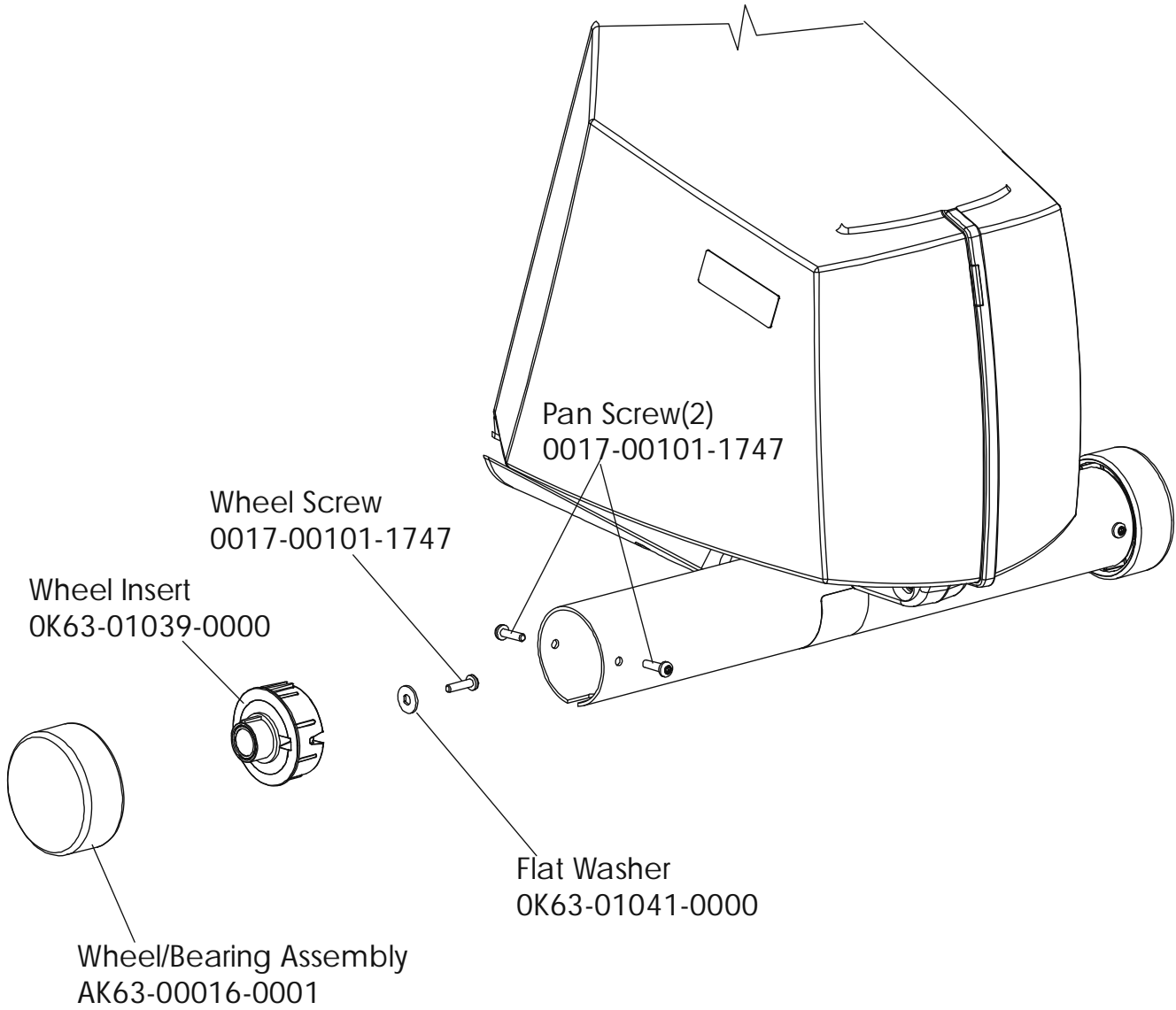
BRKT: PCB-MTG  
0K63-01211-0001

PCB-ASSY: POWER-SUPPLY; LCD  
B084-92280-A000

GROMMET: PLASTI  
0017-00042-0821

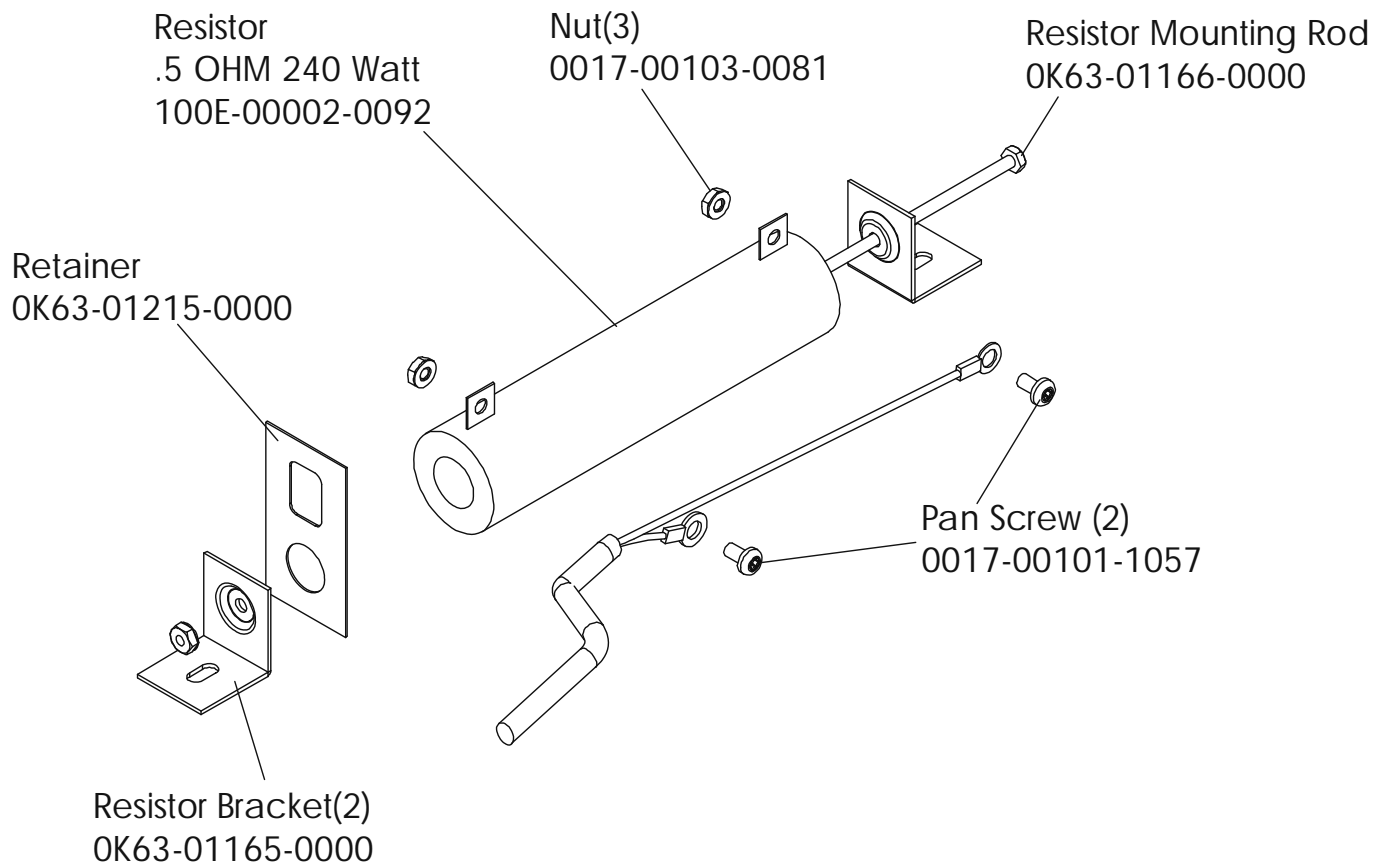
Screw  
0017-00101-0823

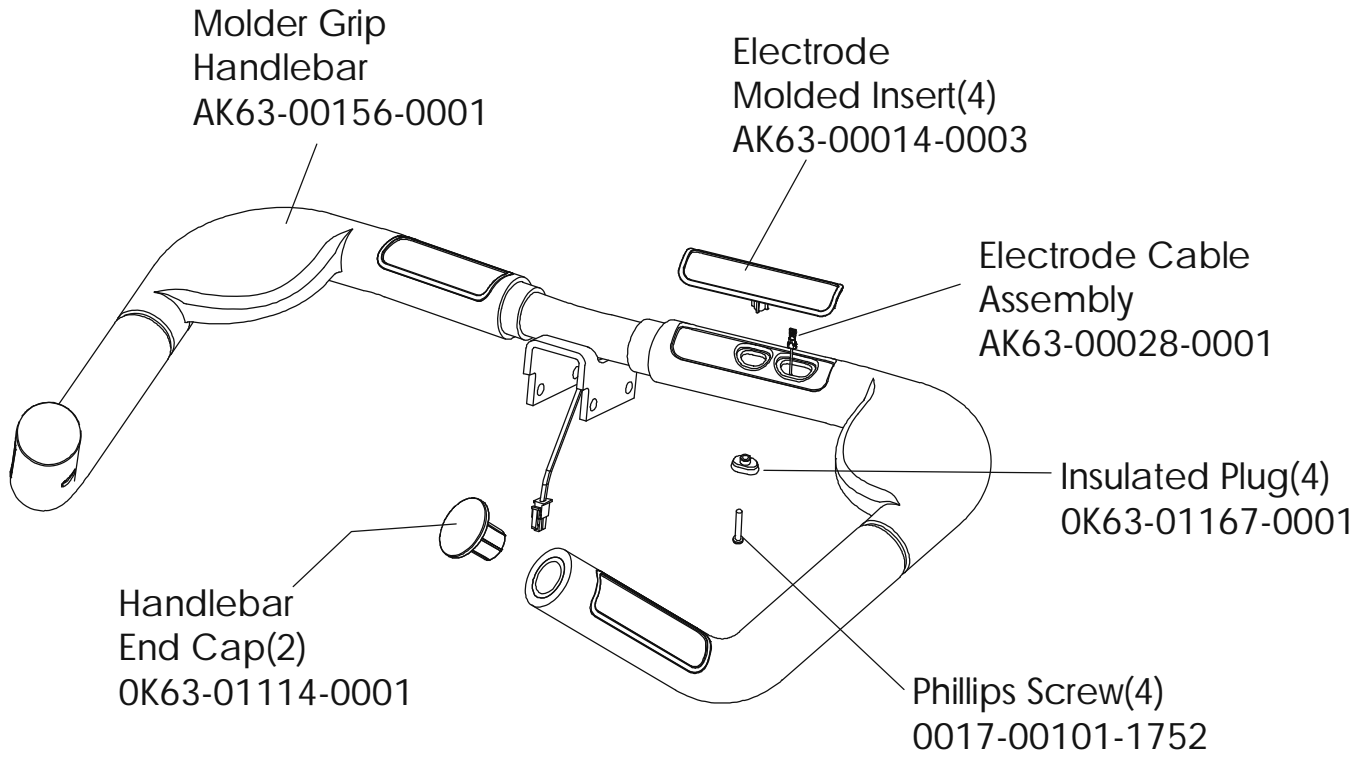


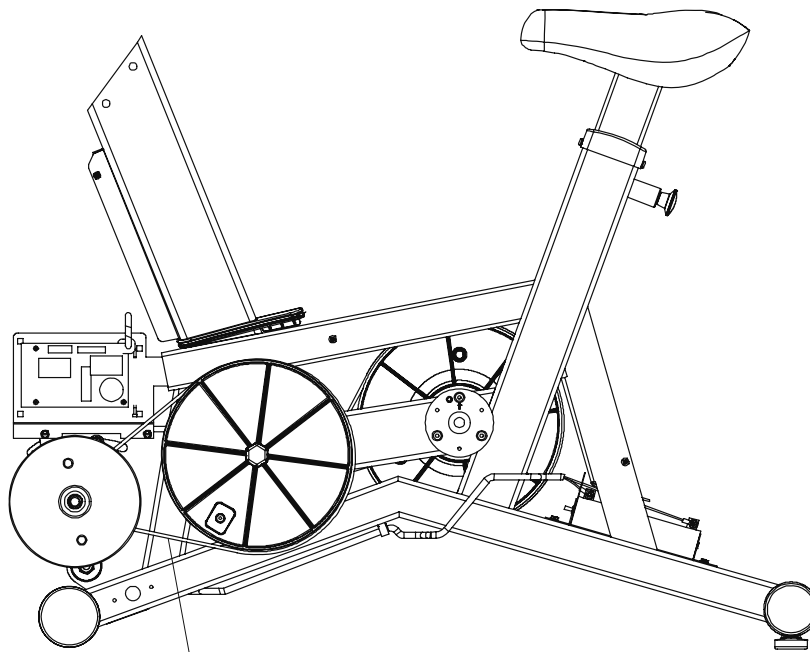


**ARCTIC SILVER 95Ce**  
**Resistor Assembly- AK63-00047-0001**

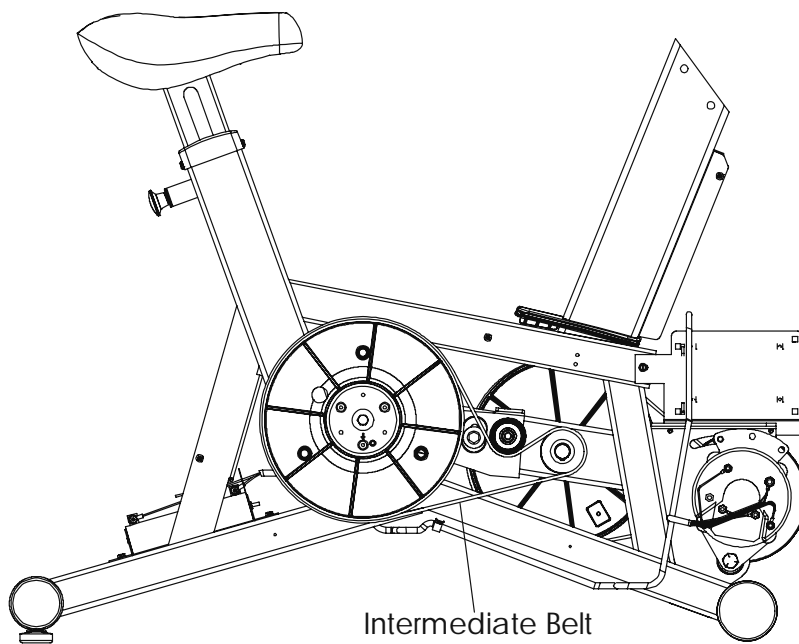
**95Ce-0XXX-02**  
**S/N CCQ100000-UP**







Alternator Belt  
OK63-01065-0000



Intermediate Belt  
OK63-01066-0001

# ARCTIC SILVER 95Ce Cables

95Ce-0XXX-02  
S/N CCQ100000-UP

